

5-Digit, Microprocessor-based FLOW Meter

(Pulse input -- 24mm x 48mm -- with 1 x alarm)

KFS-R

FEATURES

- Accuracy: $\pm 0.03\%$ F.S.
- High brightness 0.4" LED display: 0~99999; decimal point selectable
- Flow unit selectable: Liter / Gal / C.C. / m³
- Time unit selectable: sec / min / hour
- K factor programmable for liter per pulse output
- 1 alarm setting (Hi or Lo) programmable
- High stability, non-flammable case (PC), high safety
- CE approval



ORDER INFORMATION: KFS-R- [Code 1] - [Code 2] - [Code 3]

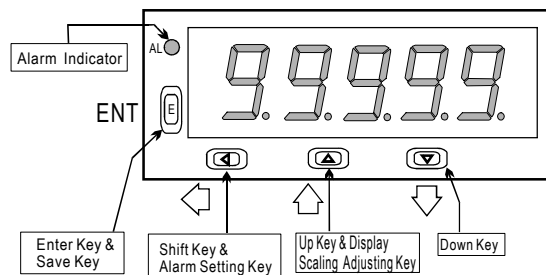
Code 1	Input Signal	Code 1	Input Signal	Code 1	Input Signal	Code 2	Aux. Power	Code 3	Alarm Output
N5	NPN(5V)	VA	AC 2~60V	VE	DC 24Vp	A	AC/DC 100~240V	N	None
N2	NPN(12V)	VB	AC 60~600V	CT	Contact	B	DC 22~60V	R1	1 Relay
P5	PNP(5V)	VC	Pick-up 50mV~1.5V	O	Option				
P2	PNP(12V)	VD	Pick-up 500mV~15V						

**1: NPN(5V), PNP(5V) offers excitation power DC5V; NPN(12V), PNP(12V) offers excitation power DC12V for flow sensors using.
2: Please use PNP/NPN(5V/12V) or DC24Vp for DC pulse input.

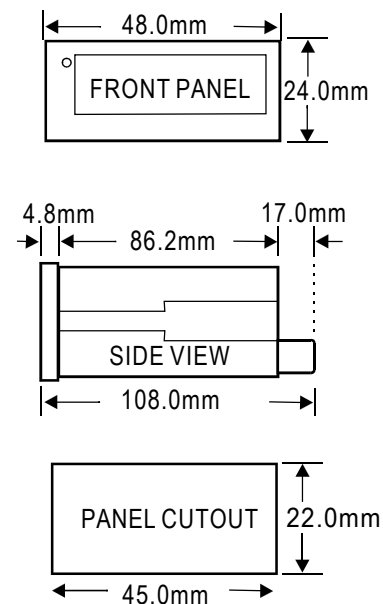
SPECIFICATION

- ◆ Accuracy: $\pm 0.03\%$ F.S.
- ◆ Display Screen: High brightness red LED; 10.16mm(0.4")
- ◆ Max. Input Frequency: 100KHz (50% duty cycle)
- ◆ Sampling Time: 10 cycles / sec: >10Hz
f cycles / sec: <10Hz
- ◆ Display Range: 0~99999
- ◆ Over Range Indication: doFL / ioFL
- ◆ Parameters Setting: Push buttons
- ◆ Back Up Memory: EEPROM
- ◆ Diameter Setting Range: 0.0001~9.9999 (M)
- ◆ Alarm Action: " \geq (Hi) on" or "< (Lo) on"
- ◆ Alarm Run Delay Time: 0~99 sec
- ◆ Relay Contact: AC 277V / 7A; DC 30V / 7A
- ◆ Temperature Coefficient: 100ppm / °C (0~60°C)
- ◆ Operating Temperature: 0~60°C
- ◆ Operating Humidity: 20~90% RH (non-condensing)
- ◆ Storage Temperature: -10~70°C
- ◆ Storage Humidity: 20~90% RH (non-condensing)
- ◆ Power Supply: AC/DC 100~240V; DC 22~60V
- ◆ Power Consumption: 4.5VA
- ◆ Surge Test: 2KVac / 1min (Input / Power)

FRONT PANEL & KEY FUNCTIONS



DIMENSION



WIRING CONNECTION

