

5-Digit, Microprocessor-based FLOW Meter

(Pulse input -- with 2--4 Alarms, Analogue output & RS485)

KFM-R

FEATURES

- Accuracy: $\pm 0.03\%$ F.S.
- High brightness 0.8" LED display: 0~99999; decimal point selectable
- Flow unit selectable: Liter / Gal / C.C. / m³
- Time unit selectable: sec / min / hour
- K factor programmable for liter per pulse output
- 2~4 alarms programmable (Hi or Lo) / Analog output (15 bit resolution) / RS-485 communication optional (The above option can exist together)
- High stability, non-flammable case (PC), high safety
- CE approval



ORDER INFORMATION: KFM-R - Code 1 - Code 2 - Code 3 Code 4 Code 5

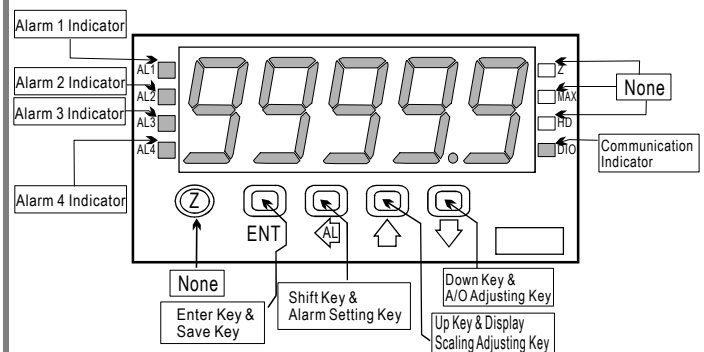
Code 1	Input Signal	Code 1	Input Signal	Code 2	Aux. Power	Code 3	Alarm Output	Code 4	Analog Output	Code 5	RS-485
N5	NPN(5V)	VA	AC 2-60V	A	AC/DC 100~240V	N	None	N	None	N	None
N2	NPN(12V)	VB	AC 60-600V	B	DC 12V	R2	2 Relays	A	4-20mA	Y	Yes
P5	PNP(5V)	VC	Pick-up 50mV~1.5V	C	DC 24V	R3	3 Relays	V	0~10V		
P2	PNP(12V)	VD	Pick-up 500mV~15V	D	DC 30-90V	R4	4 Relays	O	Option		
CT	Contact	VE	DC 24Vp			O2	2 Open Collect				
		O	Option			O3	3 Open Collect				
						O4	4 Open Collect				

**1: NPN(5V), PNP(5V) offers excitation power DC5V; NPN(12V), PNP(12V) offers excitation power DC12V for flow sensors using.
2: Please use PNP/NPN(5V/12V) or DC24Vp for DC pulse input.

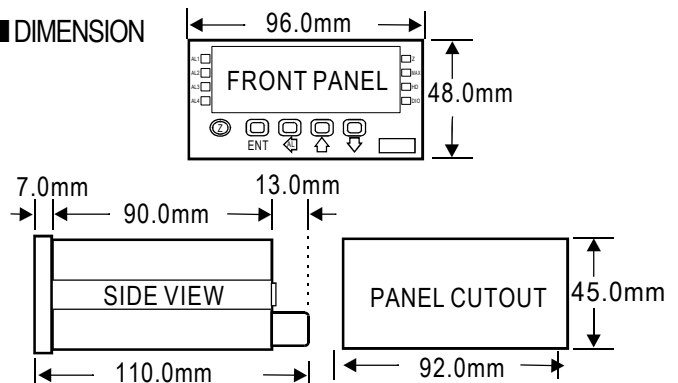
SPECIFICATION

- ◆ Accuracy: $\pm 0.03\%$ F.S.
- ◆ Display Screen: High brightness red LED; 20.3mm(0.8")
- ◆ Sampling Time: 10 cycles / sec: >10Hz
f cycles / sec: <10Hz
- ◆ Display Range: 0~99999
- ◆ Over Range Indication: doFL / ioFL
- ◆ Polarity Indication: Automatic with "-" indication
- ◆ Parameters Setting: Push buttons
- ◆ Back Up Memory: EEPROM
- ◆ Alarm Action: " \geq (Hi) on" or "< (Lo) on"
- ◆ Alarm Run Delay Time: 0~99 sec
- ◆ Relay Contact: AC 277V / 7A; DC 30V / 7A
- ◆ Analog Output Resolution: 15 bit
- ◆ Output Response Time: <250 msec (0~90%)
- ◆ Output Capability: Voltage Output: <20mA
Current Output: <10V
- ◆ Communication: RS-485 Modbus RTU mode
- ◆ Baud Rate: 19200 / 9600 / 4800 / 2400 bps
- ◆ Temperature Coefficient: 100ppm / °C (0~60°C)
- ◆ Operating Temperature: 0~60°C
- ◆ Operating Humidity: 20~90% RH (non-condensing)
- ◆ Storage Temperature: -10~70°C
- ◆ Storage Humidity: 20~90% RH (non-condensing)
- ◆ Power Supply: AC/DC 100~240V; DC 12 / 24 / 30~90V
- ◆ Power Consumption: 8.5VA (all functions output)
- ◆ Surge Test: 1.5KVac / 1min (Input / Power)

FRONT PANEL & KEY FUNCTIONS



DIMENSION



WIRING CONNECTION

