

# 5-Digit, Microprocessor-based Panel Meter (Dual inputs -- Dual screens -- 1--2 alarms & RS485)

# AM5H-D

## FEATURES

- Accuracy:  $\pm 0.1\%$  F.S.  $\pm 1$  digit (DC);  $\pm 0.2\%$  F.S.  $\pm 1$  digit (AC)
- Measuring AC, DC Voltage / AC, DC Current individually
- High brightness 0.4" LED display range: -19999~99999; decimal point selectable
- Reset / 1~2 Alarms (Hi or Lo) programmable / Analog output (15 bit resolution) or RS-485 communication optional
- High stability, non-flammable case (PC), high safety
- CE approval



## ORDER INFORMATION: AM5H-D - [Code 1] - [Code 2] [Code 3] - [Code 4] [Code 5] [Code 6] [Code 7]

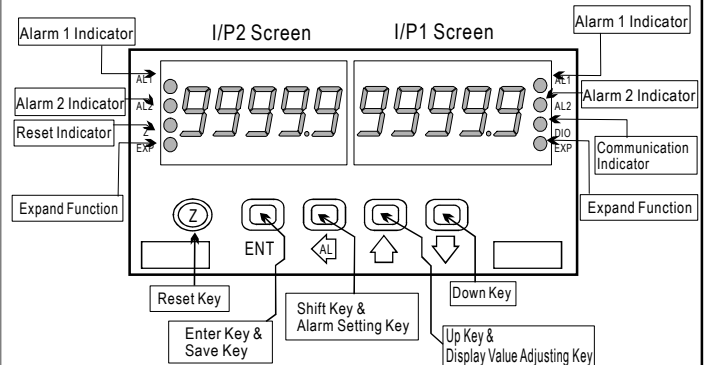
Code 1	Input Type	Code 2	I/P 1	Code 3	I/P 2	Code 4	Aux. Power	Code 5	I/P 1 Alarm	Code 6	I/P 2 Alarm	Code 7	Output
D	DC	1	0~50mV	1	0~50mV	A	AC/DC 100~240V	N	None	N	None	N	None
A	AC AVG	2	0~10V	2	0~10V	B	DC 12V	1	1 Relay	1	1 Relay	Y	RS-485
M	AC TRMS	3	0~300V	3	0~300V	C	DC 24V	2	2 Relays	2	2 Relays	A	4~20 mA
		4	0~20mA	4	0~20mA	D	DC 30~90V	3	1 Open Collect	3	1 Open Collect	V	0~10V
		5	4~20mA	5	4~20mA			4	2 Open Collect	4	2 Open Collect	O	Option
		6	0~2A	6	0~2A								
		7	0~5A	7	0~5A								
		O	Option	O	Option								

\*\*1:3 Relay type only offers A(NormalOpen) output. O.C. (Open Collect) offers NPN of C.E. output.

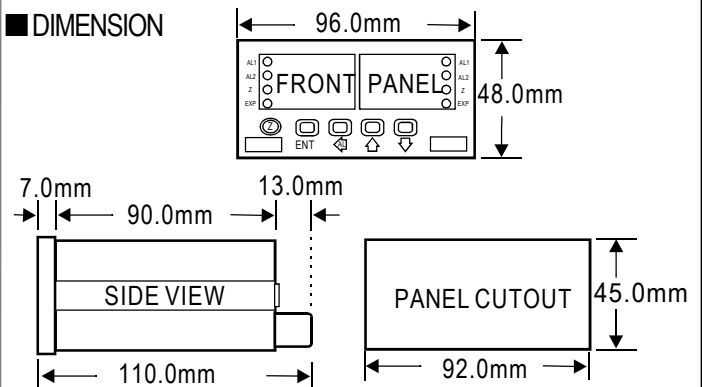
## SPECIFICATION

- ◆ Accuracy:  $\pm 0.1\%$  F.S.  $\pm 1$  digit (DC)  
 $\pm 0.2\%$  F.S.  $\pm 1$  digit (AC)
- ◆ Display Screen: High brightness red LED; 10.16mm(0.4")
- ◆ Sampling Time: 16 cycles / sec
- ◆ Display Range: -19999~99999
- ◆ Zero Adjustment: -19999~99999
- ◆ Over Range Indication: doFL / ioFL or -doFL / -ioFL
- ◆ Polarity Indication: Automatic with "-" indication
- ◆ Parameters Setting: Push buttons
- ◆ Back Up Memory: EEPROM
- ◆ Alarm Action: " $\geq$  (Hi) on" or " $<$  (Lo) on"
- ◆ Alarm Run Delay Time: 0~99 sec
- ◆ Relay Contact: AC 277V / 7A; DC 30V / 7A
- ◆ Analog Output Resolution: 15 bit
- ◆ Output Response Time: <250 msec (0~90%)
- ◆ Output Capability: Voltage Output: <20mA  
Current Output: <10V
- ◆ Communication: RS-485 Modbus RTU mode
- ◆ Baud Rate: 19200 / 9600 / 4800 / 2400 bps
- ◆ Temperature Coefficient: 100ppm /  $^{\circ}$ C (0~60 $^{\circ}$ C)
- ◆ Operating Temperature: 0~60 $^{\circ}$ C
- ◆ Operating Humidity: 20~90% RH (non-condensing)
- ◆ Storage Temperature: -10~70 $^{\circ}$ C
- ◆ Storage Humidity: 20~90% RH (non-condensing)
- ◆ Power Supply: AC/DC 100~240V; DC 12 / 24 / 30~90V
- ◆ Power Consumption: 8.5VA (all functions output)
- ◆ Surge Test: 1.5kVac / 1min (Input / Power)
- ◆ Input Impedence: Voltage:  $>2V$  for 20K $\Omega$  / V;  $\leq 2V$  for  $>200M\Omega$   
Current:  $\geq 0.2A$  at 100mV;  $<0.2A$  at 1V

## FRONT PANEL & KEY FUNCTIONS



## DIMENSION



## WIRING CONNECTION

