

6-Digit, Microprocessor-based COUNTER

(with 1--4 alarms, analogue output & RS485)

AM6H-C

FEATURES

- High brightness 0.56" LED display: -199999~999999
- Max. input frequency: 7KHz (1U2D / 1P2D); 1.5KHz (1A2B)
- Input pulse for pre-multiplication & pre-division
- N / R / C relay output mode selectable
- 2~4 alarms output programmable (Hi or Lo) / Analog output (15 bit resolution) / RS-485 communication optional (The above option can exist together)
- Reset / Pause count by external control terminal available
- High stability, non-flammable case (PC), high safety
- CE approval



ORDER INFORMATION: AM6H-C - Code 1 - Code 2 - Code 3 - Code 4 Code 5

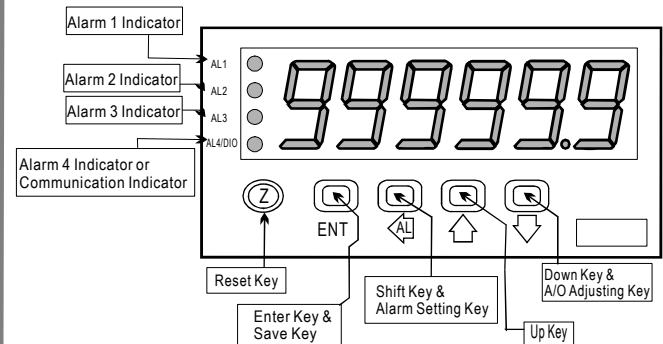
Code 1	Input Signal	Code 1	Input Signal	Code 2	Aux. Power	Code 2	Alarm Output	Code 2	Alarm Output	Code 4	Analog Output	Code 5	RS-485
N5	NPN(5V)	VC	Pick-up 50mV~1.5V	A	AC 110/220V	N	None	O1	1 Open Collect	N	None	N	None
N2	NPN(12V)	VD	Pick-up 500mV~15V	B	DC 12V	R1	1 Relay	O2	2 Open Collect	A	4~20mA	Y	Yes
P5	PNP(5V)	VE	DC 24Vp	C	DC 24V	R2	2 Relays	O3	3 Open Collect	V	0~10V		
P2	PNP(12V)	CT	Contact	D	DC 30~90V	R3	3 Relays	O4	4 Open Collect	O	Option		
		O	Option			R4	4 Relays						

**1: NPN(5V), PNP(5V) offers excitation power DC5V; NPN(12V), PNP(12V) offers excitation power DC12V for sensors using.
2: Please use PNP/NPN(5V/12V) or DC24Vp for DC pulse input.

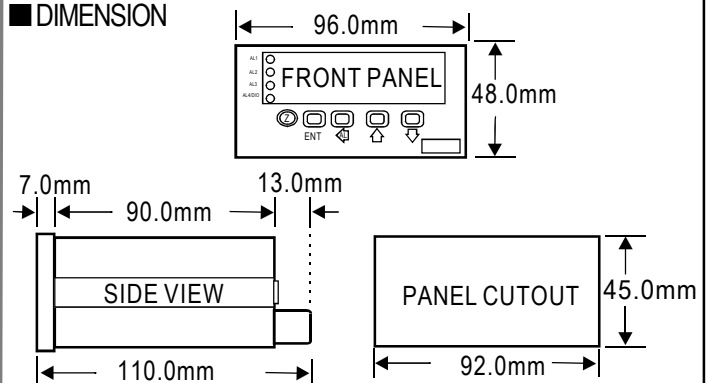
SPECIFICATION

- ◆ Display Screen: High brightness red LED; 14.22mm(0.56")
- ◆ Max. Input Frequency: 7KHz (1U2D / 1P2D)
1.5KHz (1A2B)
- ◆ Display Range: -19999~99999
- ◆ Parameters Setting: Push buttons
- ◆ Back Up Memory: EEPROM
- ◆ Alarm Action: "≥ (Hi) on" or "< (Lo) on"
- ◆ Relay Contact: AC 277V / 7A; DC 30V / 7A
- ◆ Relay Output Mode: N / R / C (depends on 1st alarm setpoint)
- ◆ Alarm Run Time: 1~99 sec
- ◆ Analog Output Resolution: 15 bit
- ◆ Output Response Time: <250 msec (0~90%)
- ◆ Output Capability: Voltage Output: <20mA
Current Output: <10V
- ◆ Communication: RS-485 Modbus RTU mode
- ◆ Baud Rate: 19200 / 9600 / 4800 / 2400 bps
- ◆ Temperature Coefficient: 100ppm / °C (0~60°C)
- ◆ Operating Temperature: 0~60°C
- ◆ Operating Humidity: 20~90% RH (non-condensing)
- ◆ Storage Temperature: -10~70°C
- ◆ Storage Humidity: 20~90% RH (non-condensing)
- ◆ Power Supply: AC/DC 100~240V; DC 12 / 24 / 30~90V
- ◆ Power Consumption: 8.5VA (all functions output)
- ◆ Surge Test: 1.5KVac / 1min (Input / Power)

FRONT PANEL & KEY FUNCTIONS



DIMENSION



WIRING CONNECTION

