

5-Digit, Microprocessor-based BATCH COUNTER (with alarms, analogue output & RS485)

AM5H-CT

FEATURES

- High brightness 0.4" LED display: -19999~99999 (Present Value / Total Value)
- Max. input frequency: 7KHz (1U2D / 1P2D); 1.5KHz (1A2B)
- Input pulse for pre-multiplication & pre-division
- Total value for synchronizing (Total) or non-synchronizing (Batch) selectable
- N / R / C relay output mode selectable
- 2 alarms output for Present Value & 2 alarms output for Total Value
- Analog output (15 bit resolution) / RS-485 communication optional
(The above option can exist together)
- Reset / Pause count by external control terminal available
- High stability, non-flammable case (PC), high safety
- CE approval



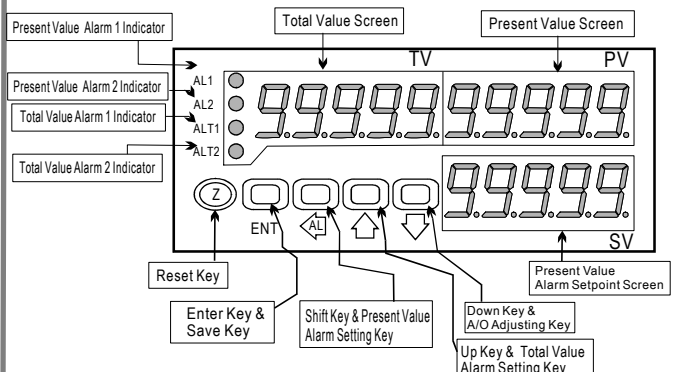
ORDER INFORMATION: AM5H-CT -

Code 1		Code 2		Code 3		Code 4		Code 5		Code 6	
Code 1	Input Signal	Code 1	Input Signal	Code 2	Aux. Power	Code 3	Count Alarm Output	Code 4	Batch Alarm Output	Code 5	Analog Output
N5	NPN(5V)	VC	Pick-up 50mV~1.5V	A	AC 110/220V	N	None	N	None	N	None
N2	NPN(12V)	VD	Pick-up 500mV~15V	B	DC 12V	R1	1 Relay	T1	1 Relay	A	4~20mA
P5	PNP(5V)	VE	DC 24Vp	C	DC 24V	R2	2 Relays	T2	2 Relays	V	0~10V
P2	PNP(12V)	CT	Contact	D	DC 30~90V					O	Option
		O	Option								
										Code 6	RS-485
										N	None
										Y	Yes

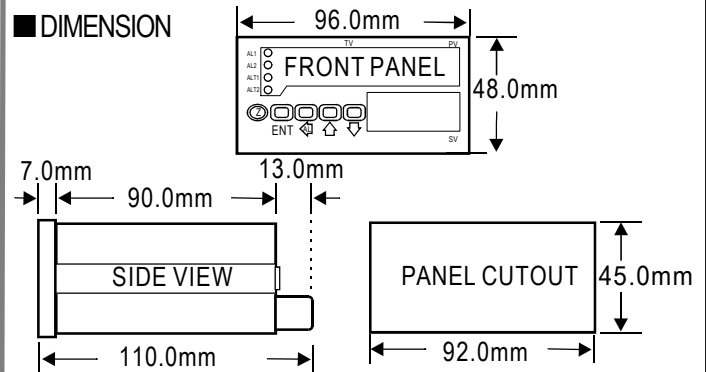
SPECIFICATION

- ◆ Display Screen: High brightness red LED; 10.16mm(0.4")
- ◆ Max. Input Frequency: 7KHz (1U2D / 1P2D)
1.5KHz (1A2B)
- ◆ Display Range: -19999~99999
- ◆ Parameters Setting: Push buttons
- ◆ Back Up Memory: EEPROM
- ◆ Relay Contact: AC 277V / 7A; DC 30V / 7A
- ◆ Relay Output Mode: N / R / C (depends on 1st alarm setpoint)
- ◆ Alarm Run Time: 1~99 sec
- ◆ Analog Output Resolution: 15 bit
- ◆ Output Response Time: <250 msec (0~90%)
- ◆ Output Capability: Voltage Output: <20mA
Current Output: <10V
- ◆ Communication: RS-485 Modbus RTU mode
- ◆ Baud Rate: 19200 / 9600 / 4800 / 2400 bps
- ◆ Temperature Coefficient: 100ppm / °C (0~60 °C)
- ◆ Operating Temperature: 0~60 °C
- ◆ Operating Humidity: 20~90% RH (non-condensing)
- ◆ Storage Temperature: -10~70 °C
- ◆ Storage Humidity: 20~90% RH (non-condensing)
- ◆ Power Supply: AC/DC 100~240V; DC 12 / 24 / 30~90V
- ◆ Power Consumption: 8.5VA (all functions output)
- ◆ Surge Test: 1.5KVac / 1min (Input / Power)

FRONT PANEL & KEY FUNCTIONS



DIMENSION



WIRING CONNECTION

