

# 6-Digit LCD Timer -- (24mm x 48mm)

**TCL**

## FEATURES

- High brightness 0.27" LCD display: 0~999999
- Lock switch available for reset key
- Backup memory by internal battery
- Battery life: more than 6 years
- DIN size 24 x 48 mm; easy to install



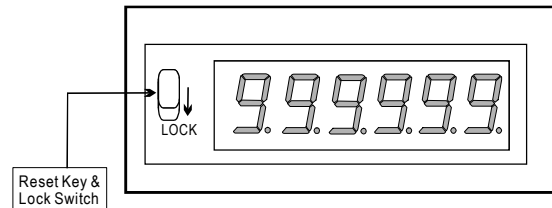
## ORDER INFORMATION: TCL - Code 1

Code 1	Display Range
1	99999.9 hrs
2	99 hrs, 59 mins, 59 sec
3	9999 hrs, 59 mins
4	9999 days, 23 hrs

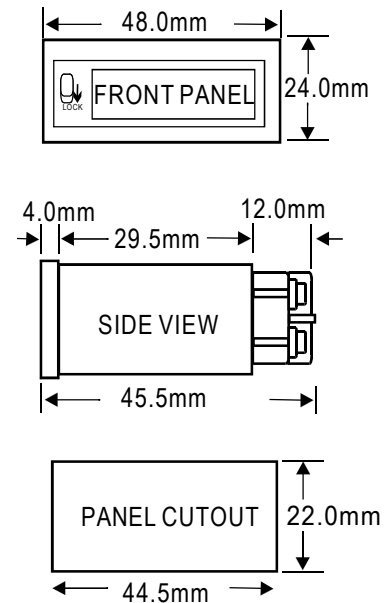
## SPECIFICATION

- ◆ Display Screen: High brightness LCD; 6.7mm(0.26")
- ◆ Display Range: 0~999999
- ◆ Back Up Memory: Internal Battery
- ◆ Battery Life: More than 6 years
- ◆ Temperature Coefficient: 100ppm / °C (0~60°C)
- ◆ Operating Temperature: 0~40°C
- ◆ Operating Humidity: 20~90% RH (non-condensing)
- ◆ Storage Temperature: -10~60°C
- ◆ Storage Humidity: 20~90% RH (non-condensing)
- ◆ Power Supply: Internal Battery

## FRONT PANEL & KEY FUNCTIONS



## DIMENSION



## WIRING CONNECTION

