

TR Series

Features:

- . Brass with Chrome Case
- . IP 66 Protection



Specification:

Item	Type	Diffuse Reflex		Mirror Reflex		Through Beam		
	Model	Normal Ope	TR-10N	TR-40N	TR-300N	TR-100NR	TR-1000N	TR-2000N
		Normal Clo	TR-10P	TR-40P	TR-300P	TR-100NR	TR-1000P	TR-2000P
Max Detecting Distance			10 cm	40cm	3M	1M	10M	20M
Emitter			Infared LED			Red LED	Infared LED	
Standard Object			10 × 10 cm (without white reflector)			56mm (opaque)		
Accuracy			<0.3mm			<0.1mm		
Power Supply			10-30V DC					
Current Consumption			<30mA					
Load Current			200mA Max.					
Response Frequency			400 Hz .					
Residual Voltage			1V Max.					
Output Method			Receive the beam ON or Cover the beam ON					
Indication			RED LED					
Loop Protection			Short Circuit & Polarity Reversed Protection					
Protection			IEC ,IP 66					
Operating Temperature			-25 to 70 ; Storage Temperature: -30 to 80					
Operating Humidity			35 to 85 % RH					
Illumination			Lamplight: <3000 Lux; Sunlight: <10000 Lux					
Vibration			10-55 Hz ; 1.5mm X,Y,Z continuous 2 hours					
Shock			500 m/S (50g) X,Y,Z continuous 3 times					
Wiring Method			3C/ 5 0 * 2M					
Housing Material			Brass with Chrome Case					
Wiring Material			PVC Oil Resistance					
Weight			126g		146g		250g	

Order Information:

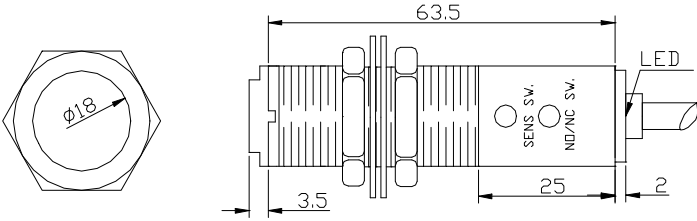
TR - 10 X X X - X
 1 2 3 4 5

1. Distance: 5cm ~ 70cm (Diffuse Reflex)
2. Output: NONE: Current Output (Standard), R: Voltage Output
3. Output: N- NPN or P- PNP
4. Emitter: NONE: Infared LED (Standard), R: Red LED
5. Other: P: Socket
C: Water Proof
3M: Wire 3M (5M: Wire 5M)

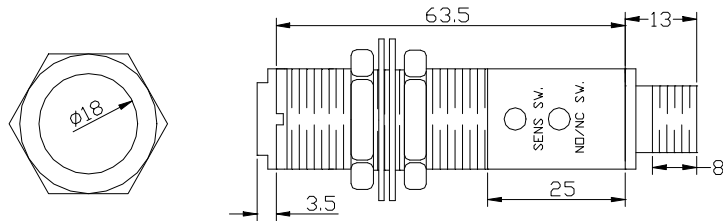
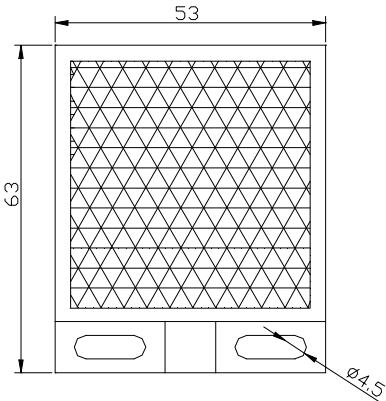
TR Series

Dimensions:

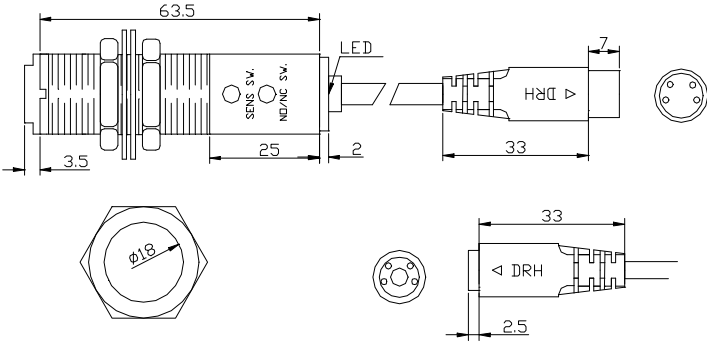
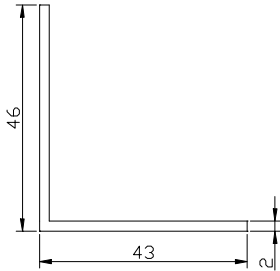
Optional Accessories:



Wire



Water Proof



Socket

