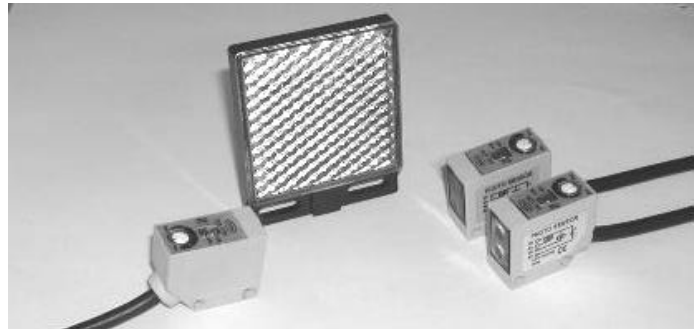


DS NO/NC Series

Features:

- . PBT Housing
- . Dimension: 13.5(W)*25.0(H)*30.0(L)
- . IP 66 Protection
- . NPN output & PNP output



Specification:

Type		Diffuse Reflex			Mirror Reflex
		Model	Normal Oper	Normal Clos	
Item	Normal Oper	DS-10NO	DS-30NO	DS-50NO	DS-200NO
	Normal Clos	DS-10NC	DS-30NC	DS-50NC	DS-200NC
Max Detecting Distance		10 cm	30cm	50cm	2M
Emitter		Infrared LED			
Standard Object		10 x 10 cm (without white reflector)			56mm (opaque)
Accuracy		<0.3mm			<0.1mm
Power Supply		10-30V DC			
Current Consumption		<30mA			
Load Current		200mA Max.			
Response Frequency		400 Hz .			
Residual Voltage		1V Max.			
Output Method		NPN output or PNP output			
Indication		RED LED			
Loop Protection		Short Circuit & Polarity Reversed Protection			
Protection		IEC ,IP 66			
Operating Temperature		-25 to 70 ; Storage Temperature: -30 to 80			
Operating Humidity		35 to 85 % RH			
Illumination		Lamplight: <3000 Lux; Sunlight: <10000 Lux			
Vibration		10-55 Hz ; 1.5mm X,Y,Z continuous 2 hours			
Shock		500 m/S (50g) X,Y,Z continuous 3 times			
Wiring Method		3C/ 5 0 * 2M			
Housing Material		PBT resin + 30% fibre			
Wiring Material		PVC Oil Resistance			
Weight		86g			106g

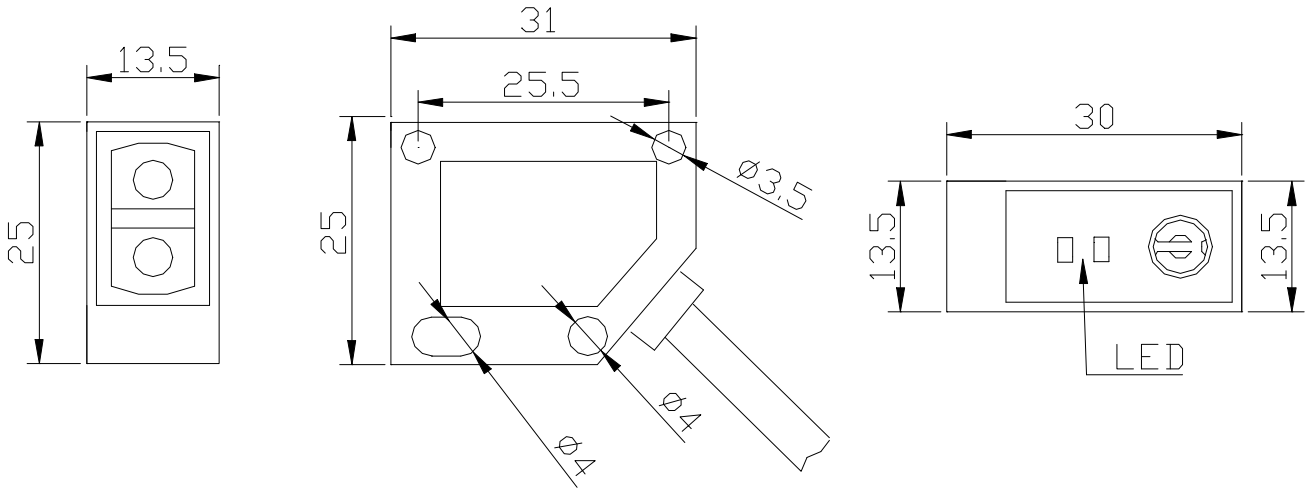
Order Information:

DS - 10 X NO - X
 1 2 3 4

1. Distance: 5cm ~ 50cm (Diffuse Reflex)
2. Output: NONE: Current Output (Standard), R: Voltage Output
3. Output: Normal Open: NO or Normal Close: NC
4. Other: P: Socket
 C: Water Proof
 3M: Wire 3M (5M: Wire 5M)

DS NO/NC Series

Dimensions:



Optional Accessories:

