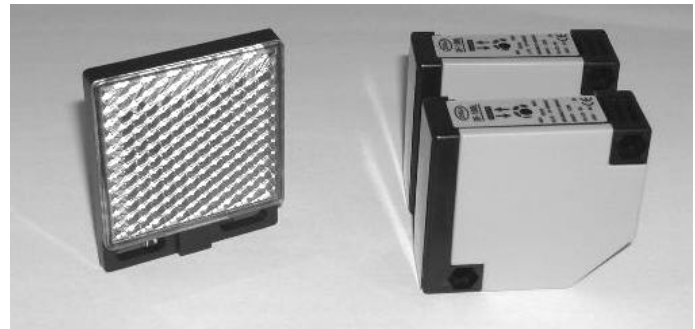


DF FREE POWER

Features:

- . PBT Housing
- . IP 65 Protection
- . RELAY Output: 3A / 250V AC



Specification:

Type		Diffuse Reflex			Mirror Reflex		Through Beam	
Item	Model	DF-40L	DF-100L	DF-200L	DF-400L	DF-800L	DF-1000L	DF-2000L
Max Detecting Distance		40cm	1M	2M	4M	8M	10M	20M
Emitter		Infrared LED			Red LED		Infrared LED	
Standard Object		10 x 10 cm (without white reflector)			56mm (opaque)			
Accuracy		<0.3mm			<0.1mm			
Power Supply		AC 20-260V DC 12-260V						
Power Consumption		2VA Max.						
Contact Current		30V DC 3A / 250V AC 3A						
Response Frequency		60 Hz.						
Detecting Adjustment		Adjustable						
Output Method		Relay Output 1A1B						
Indication		RED LED						
Operating Temperature		IEC ,IP 65						
Operating Humidity		-25 to 70 ; Storage Temperature: -30 to 80						
Illumination		35 to 85 % RH						
Vibration		10-55 Hz ; 1.5mm X,Y,Z continuous 2 hour						
Shock		500 m/S (50g) X,Y,Z continuous 3 times						
Wiring Method		3C/ 5 Ø * 2M						
Housing Material		PBT resin + 30% fibre						
Wiring Material		PVC Oil Resistance						
Weight		65g						

Order Information:

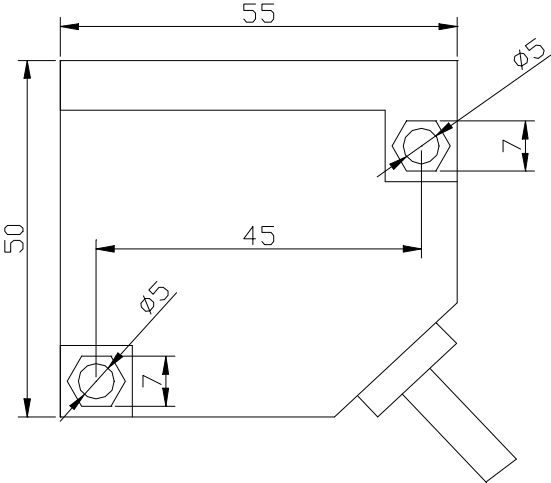
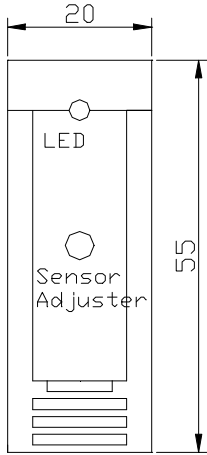
DF - 100 L

1

1. Distance: 40 cm ~ 20 M

DF FREE POWER

Dimensions:



Optional Accessories:

