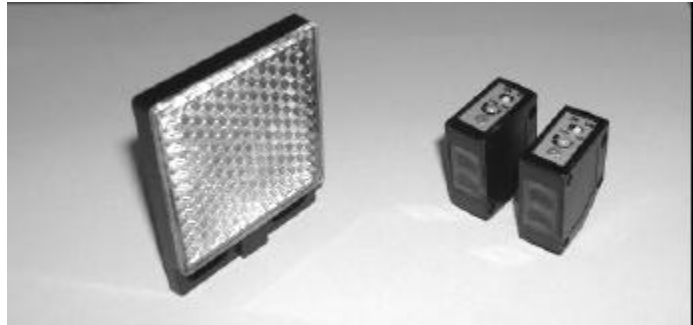


## DC Series

### Features:

- . ABS Intensive
- . Dimension: 13.5(W)\*25.0(H)\*30.0(L)
- . IP 66 Protection



### Specification:

Item	Type	Diffuse Reflex			Mirror Reflex
	Model NPN Output PNP Output	DC-10N DC-10P	DC-30N DC-30P	DC-50N DC-50P	DC-200N DC-200P
<b>Max Detecting Distance</b>		10 cm	30cm	50cm	2M
<b>Emitter</b>	Infrared LED				
<b>Standard Object</b>		10 x 10 cm (without white reflector)			56mm (opaque)
<b>Accuracy</b>		<0.3mm			<0.1mm
<b>Power Supply</b>	10-30V DC				
<b>Current Consumption</b>	<30mA				
<b>Load Current</b>	200mA Max.				
<b>Response Frequency</b>	400 Hz .				
<b>Residual Voltage</b>	1V Max.				
<b>Output Method</b>	Receive the beam ON or Cover the beam ON				
<b>Indication</b>	RED LED				
<b>Loop Protection</b>	Short Circuit & Polarity Reversed Protection				
<b>Protection</b>	IEC ,IP 65				
<b>Operating Temperature</b>	-25 to 70 ; Storage Temperature: -30 to 80				
<b>Operating Humidity</b>	35 to 85 % RH				
<b>Illumination</b>	Lamplight: <3000 Lux; Sunlight: <10000 Lux				
<b>Vibration</b>	10-55 Hz ; 1.5mm X,Y,Z continuous 2 hours				
<b>Shock</b>	500 m/S (50g) X,Y,Z continuous 3 times				
<b>Wiring Method</b>	3C/ 5 0 * 2M				
<b>Housing Material</b>	ABS Intensive				
<b>Wiring Material</b>	PVC Oil Resistance				
<b>Weight</b>		65g			85g

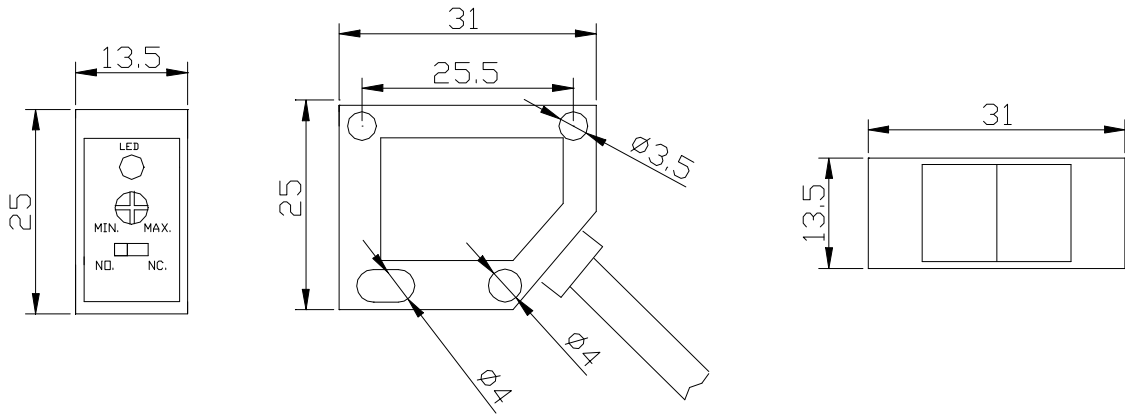
### Order Information:

DC - 10 X X - X  
           1 2 3 4

1. Distance: 5cm ~ 50cm (Diffuse Reflex)
2. Output: NONE: Current Output (Standard), R: Voltage Output
3. Output: N- NPN or P- PNP
4. Other: P: Socket  
           C: Water Proof  
           3M: Wire 3M (5M: Wire 5M)

# DC Series

## Dimensions:



## Optional Accessories:

