

5-Digit, Microprocessor-based TEMP Meter

(Thermocouple input -- alarms, analogue output & RS485)

AM5H-T

FEATURES

- Accuracy: $\pm 0.2\%$ F.S. $\pm 0.5^\circ\text{C}$ (Cold junction compensation)
- Measuring Temperature (TC) sensors for K, J, E, R, S, B, T
- High brightness 0.56" LED display range: -19999~99999; 1 decimal point selectable
- $^\circ\text{C}/^\circ\text{F}$ unit selectable
- 1 control output: ON / OFF or proportion programmable / 2 Alarms output / Analog output (15 bit resolution) or RS-485 communication optional (The above options can exist together)
- High stability, non-flammable case (PC), high safety
- CE approval



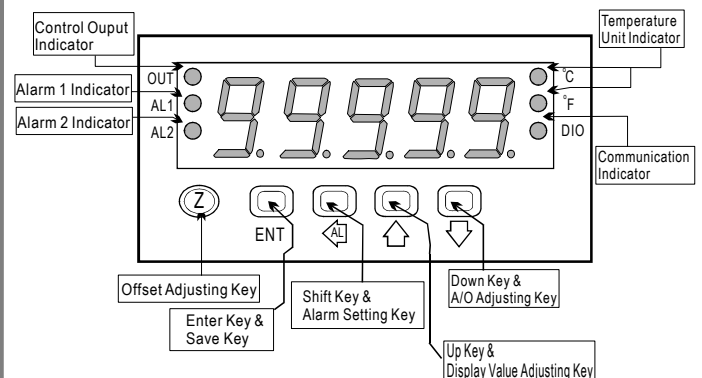
ORDER INFORMATION: AM5H-T - [Code 1] - [Code 2] - [Code 3] [Code 4]

Code 1	Input Type	Code 2	Aux. Power	Code 3	Alarm Output	Code 4	Output
B	200~1800 $^\circ\text{C}$	A	AC 110/220V	N	None	N	None
E	-185~900 $^\circ\text{C}$	B	DC 12V	R1	1 Control	Y	RS-485
J	-200~200 $^\circ\text{C}$	C	DC 24V	R2	1 Control & 1 Relay	A	4~20 mA
K	-200~1360 $^\circ\text{C}$	D	DC 30~90V	R3	1 Control & 2 Relays	V	0~10V
R	0~1760 $^\circ\text{C}$	E	AC/DC 100~240V			O	Option
S	0~1750 $^\circ\text{C}$						
T	-200~395 $^\circ\text{C}$						
O	Option						

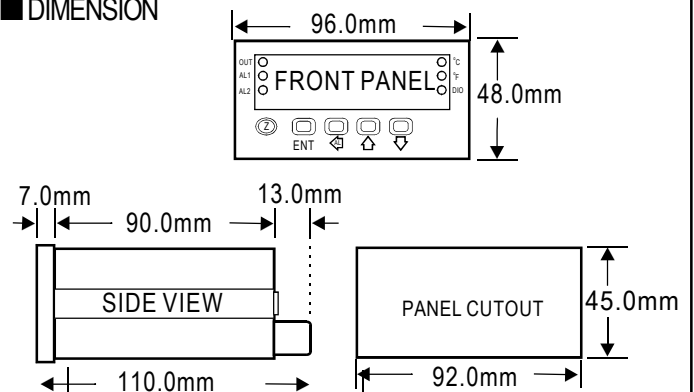
SPECIFICATION

- ◆ Accuracy: $\pm 0.2\%$ F.S. $\pm 0.5^\circ\text{C}$ (Cold junction compensation)
- ◆ Display Screen: High brightness red LED; 14.22mm(0.56")
- ◆ Sampling Time: 16 cycles / sec
- ◆ Display Range: -19999~99999
- ◆ Zero Adjustment: -19999~99999
- ◆ Over Range Indication: doFL / ioFL or -doFL / -ioFL
- ◆ Polarity Indication: Automatic with "-" indication
- ◆ Disconnection Indication: Automatic with "OPEn" indication
- ◆ Parameters Setting: Push buttons
- ◆ Back Up Memory: EEPROM
- ◆ Alarm Action: " \geq (Hi) on" or "< (Lo) on"
- ◆ Alarm Run Delay Time: 0~99 sec
- ◆ Relay Contact: AC 277V / 7A; DC 30V / 7A
- ◆ Proportion Control Area: 0~999%
- ◆ Proportion Control Time: 0~99 sec
- ◆ Analog Output Resolution: 15 bit
- ◆ Output Response Time: <250 msec (0~90%)
- ◆ Output Capability: Voltage Output: <20mA
Current Output: <10V
- ◆ Communication: RS-485 Modbus RTU mode
- ◆ Baud Rate: 19200 / 9600 / 4800 / 2400 bps
- ◆ Temperature Coefficient: 100ppm / $^\circ\text{C}$ (0~60 $^\circ\text{C}$)
- ◆ Operating Temperature: 0~60 $^\circ\text{C}$
- ◆ Operating Humidity: 20~90% RH (non-condensing)
- ◆ Storage Temperature: -10~70 $^\circ\text{C}$
- ◆ Storage Humidity: 20~90% RH (non-condensing)
- ◆ Power Supply: AC/DC 100~240V; DC 12 / 24 / 30~90V
- ◆ Power Consumption: 8.5VA (all functions output)
- ◆ Surge Test: 1.5KVac / 1min (Input / Power)

FRONT PANEL & KEY FUNCTIONS

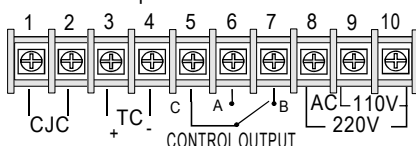


DIMENSION



WIRING CONNECTION

1 Alarm Output



2 Alarms Output

